



DIN 15418 - or similar....

We design and manufacture your products according to your demands. Standards and regulations just serve as construction base. Fine adjustments and modifications are executed correspondingly to your requirements.

Rope pulleys with deep groove ball bearings extremely robust and reliable

Warmly welcome!

Rope pulleys are heavy-duty components which are subject to high loads.

Our high quality components are required, when maximum safety and reliability are needed.

High safety standards and permanent availability of the transport systems are major aspects for long-standing customers who trust in BÖHMER quality.

BÖHMER-products are in permanent use by crane manufacturers, in smelting works, on transshipment stations, maritime freight handling agencies and many other crane operators.

What we can do for you:

Long-term experience and ongoing commitment in research and development enable us to offer customer and application-tailored solutions.

Rope pulleys are designed according to standards, customer's drawings or construction proposals by our engineering department that have been authorised by you.

As technical base standards serve, customer's drawings, technical data, load calculations or just simple sketches. The rest will be done by our experts.



Example of designation

Rope pulley with a ground diameter $d_2 = 630\text{mm}$, shaft diameter $d_5 = 110\text{mm}$, groove radius $r_1 = 14\text{mm}$

Rope pulley 630 x 110 x 14 - BIS 3017

In case of inquiry or order please specify:

- special sizes / modifications
- material for the sheave (see site 4)

Remarks

- profile and tolerances according to DIN 15061-1
- surface quality of all machined surfaces according to DIN ISO 1302
- dimensions of hub and bearings according to DIN 15062
- principles to rope drives; calculation and construction according to DIN 15020-1
- edges of the hub bore bevelled $2\text{mm} \times 45^\circ$

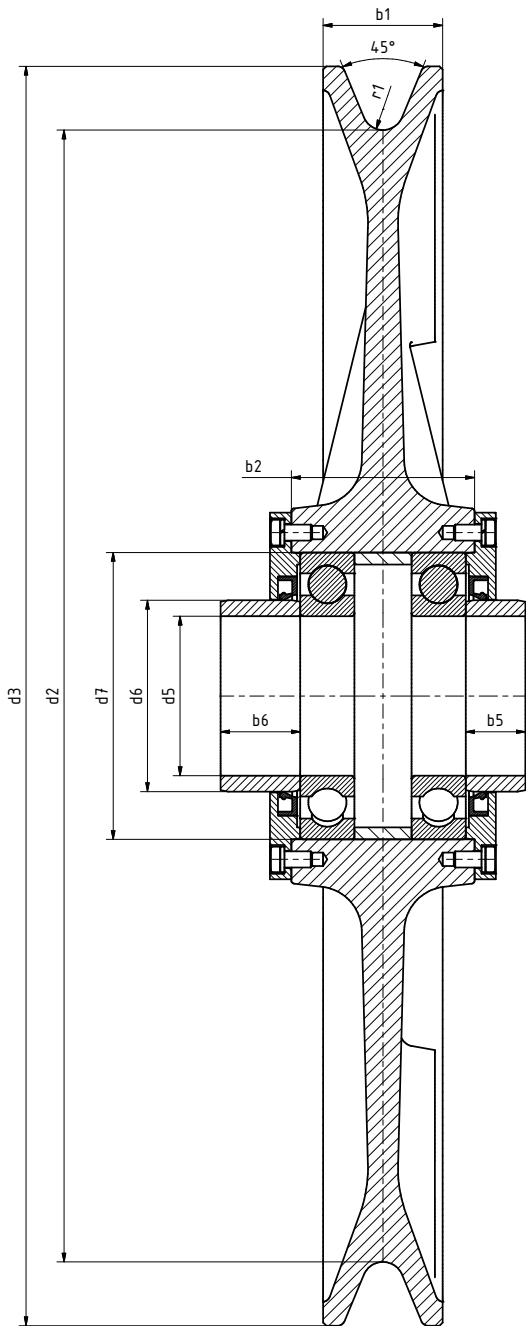
No rope pulley is like the other...

Rope pulleys only rarely base on regular standards. Often used are special constructions of the groove radius, the bearings or the material. According to individual operating conditions, the components are subject to totally different requirements which only can be met by detailed construction adjustments.

Here you get what you need!

Rope pulleys for bottom blocks with two sheaves according to DIN 15408

dimension d2 x d5	hook no.	rope diameter	d3	d6	d7 H7/r6	b1	b2 -0,2	b5	b6	r1	bearing DIN 625
225 x 45	2,5	9	260	60	85	32	55	27,5		4,8	6209
280 x 55	4	11	320	70	100	38	60	30		6	6211
315 x 60	5	13	360	70	110	44	60	30		7	6212
355 x 70	6	14	405	80	125	48	65	27,5		7,5	6214
400 x 75	8	16	455	90	130	52	70	35		8,5	6215
450 x 80	10	18	510	100	140	60	70	32,5		9,5	6216
500 x 90	12	20	570	110	160	62	80	35		10,5	6218
560 x 100	16	22	630	120	180	70	85	37,5		12	6220
630 x 110	20	26	710	130	200	72	95	37,5		14	6222
710 x 120	25	28	790	140	215	80	100	35		15	6224
800 x 130	32	32	890	150	230	90	100	35		17	6226
900 x 140	40	36	1010	160	250	100	105	32,5		19	6228



Rope pulleys for bottom blocks with four sheaves according to DIN 15409

dimension d2 x d5	hook no.	rope diameter	d3	d6	d7 H7/r6	b1	b2 -0,2	b5	b6	r1	bearing DIN 625
560 x 140	25	20	630	160	210	62	85	32,5	60	10,5	6028
630 x 150	32	22	700	170	225	70	90	35	65	12	6030
710 x 170	40	26	790	190	260	72	100	35	65	14	6034
800 x 180	50	28	880	200	280	80	110	35	65	15	6036
900 x 200	63	32	990	220	310	90	120	35	65	17	6040
1000 x 220	80	36	1110	240	340	100	130	30	55	19	6044
1120 x 240	100	40	1240	260	360	112	130	45	85	21	6048
1250 x 260	125	44	1380	280	400	125	150	35	65	24	6052

Our material preselection ...

Choose the optimal material for your application.

Due to many years of experience, we are able to offer you an exclusive preselection of excellent materials. Using the following materials, you are always on the safe side. Next to technical issues, we also consider economic aspects to be able to offer you price and performance in the best relationship.

Sheaves made of cast steel

short name	heat treatment	tensile strength R_m in N/mm ²
GE300 (GS-60)	normalised (+N)	520 bis 670
GS-70	normalised (+N)	> 690
G34CrMo4	quenched & tempered (+QT2)	830 bis 980
G42CrMo4	quenched & tempered (+QT2)	850 bis 1000
G50CrMo4	quenched & tempered (+QT2)	900 bis 1100
GS-35NiCrMo14	quenched & tempered (+QT2)	1000 bis 1200
GS-35CrMoV10.4	quenched & tempered (+QT2)	1050 bis 1200
ADIDUR	quenched & tempered (+QT2)	> 940
GS-34CrNiMo6¹⁾	quenched & tempered (+QT2)	900 bis 1100
GS-33NiCrMo744¹⁾	quenched & tempered (+QT2)	1050 bis 1250

1) cryogenic steel for use at low temperatures

Further components

Further components like covers, bushings, distance rings, were normally made of S355J2.

All other parts meet the regulations of the respective standard.

Do you need special designed components?

Please specify in your inquiry / order.

Further material information

On our website you can download data sheets of all above mentioned materials.

Visit us on:

www.boehmer-crane-wheels.com

Sheaves made of forged steel

short name	heat treatment	tensile strength R_m in N/mm ²
C45	normalised (+N)	> 560
C60	normalised (+N)	> 650
34CrMo4	quenched & tempered (+QT2)	750 bis 900
42CrMo4	quenched & tempered (+QT2)	800 bis 950
50CrMo4	quenched & tempered (+QT2)	850 bis 1000
30CrNiMo8	quenched & tempered (+QT2)	1000 bis 1200
34CrNiMo6¹⁾	quenched & tempered (+QT2)	900 bis 1100

1) cryogenic steel for use at low temperatures

Contour hardening

Some materials enable a special contour hardening in the rope groove to improve the wear performance.

Please contact us for further information. We will gladly inform you about the technical possibilities of the relevant materials.

General information

Technical design

The technical design of the rope pulleys needn't automatically correspond to standards. The construction can be adjusted in almost any parameter to fulfil the customer's demands. This corresponds to the geometric design, the materials used as well as different bearings.

All mentioned standards just serve as a basic orientation.

Materials

The materials mentioned and properties of this BIS collection are obtained from current valid DIN EN standards. Our material preselection is based on experience and does not serve as binding specification. According to your requirements, other materials can be provided.

Painting and conservation

If there is no specification concerning painting and conservation, our rope pulleys are executed to our standard. This comprises a surface painting with a one-component zinc phosphate primer in RAL 7031 (slate blue) and the conservation of all contact- and function surfaces with Tectyl 506 EH-40.

Customised paintings, as well as complete painting systems to supplier specifications are certainly possible.

Prices and delivery time

Almost every construction supplied by us is individually designed. Numerous executions make it impossible to give prices in advance. Please ask for price and delivery time. It will be our pleasure to help.



Your personal contact - competent and friendly

Inquiry

In order to be able to reply to your inquiry as soon as possible, it is important to provide us with all necessary information.

Please contact us for further information and support!

Sales

Export

Tel: +49 (0) 2302 / 961 - 141
Fax: +49 (0) 2302 / 961 - 222
Mail: info@kranlauftrad.de

Technology

Engineering

Tel: +49 (0) 2302 / 961 - 160
Fax: +49 (0) 2302 / 961 - 222
E-Mail: info@kranlauftrad.de

Our responsibility

Quality Management according to ISO 9001:2015



Böhmer Zerspanungstechnik GmbH & Co. KG • Annenstraße 79 • 58453 Witten • Germany
Tel +49 (0) 2302 961 - 0 • Fax +49 (0) 2302 961 222 • www.kranlauftrad.de • info@eisenwerkboehmer.de